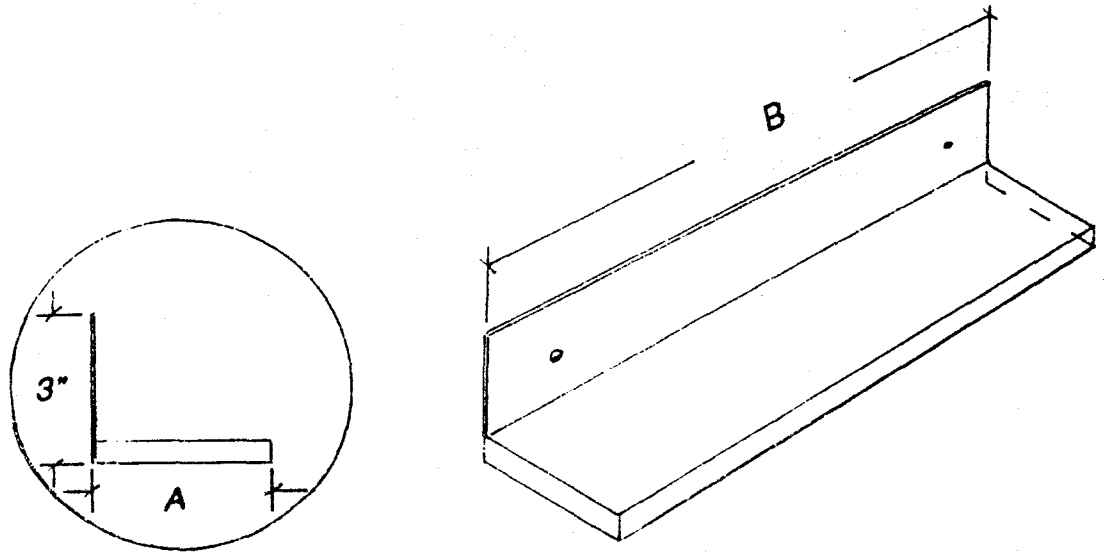


STAINLESS STEEL SHELVES

Series 235 Shelves are fabricated from type 304 satin stainless steel. The models in this series are intended to be mounted in conjunction with Channel or Angle Framed Mirrors.



Size: Shelf shall be 5" deep (A) x _____" long (B).

TECNICAL DATA:

Material: 18 gauge type 304 stainless steel with #4 satin finish.

Sizes: Series 235 Shelves are 3" high by 5" deep and come in a variety of lengths. They may also be customized to your specification.

INSTALLATION:

Series 235 Shelves are designed to be mounted with fasteners appropriate for the existing wall conditions.