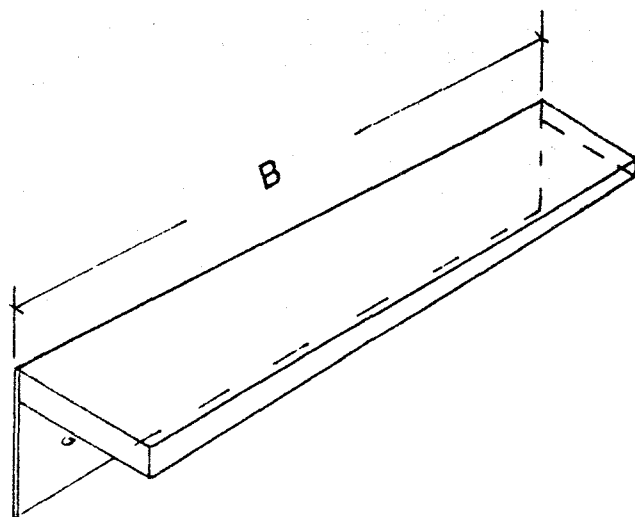
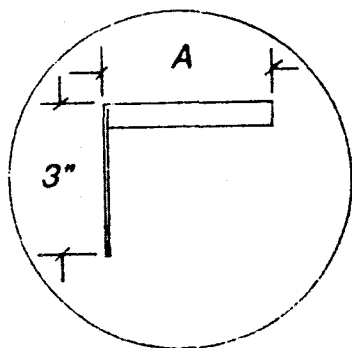


STAINLESS STEEL SHELVES

Series 225 Shelves are fabricated from type 304 satin stainless steel. The models in this series are free-standing



Size: Shelf shall be 5" deep (A) x _____" long (B).

TECNICAL DATA:

Material: 18 gauge type 304 stainless steel with #4 satin finish.

Sizes: Series 225 Shelves are 3" high by 5" deep and come in a variety of lengths. They may also be customized to your specification.

INSTALLATION:

Series 225 Shelves are designed to be mounted with fasteners appropriate for the existing wall conditions.