

Cweco

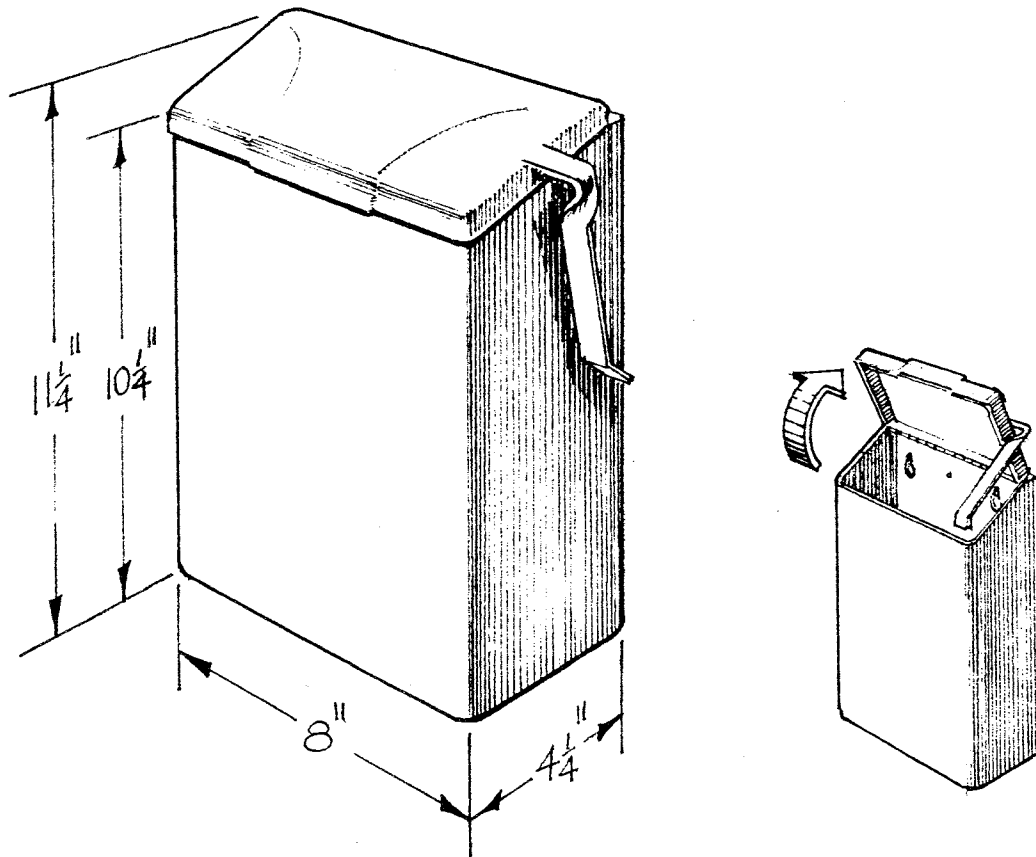
P.O. BOX 2456, GARDENA, CA 90247-0456

CWHK250C

(800) 292-9326 OR (310) 538-9440--FAX:(800) 232-9326 OR (310) 715-9188

SURFACE MOUNT SANITARY NAPKIN RECEPTACLE

Part number shall be CWHK250C



CONSTRUCTION: Surface Mount Sanitary Napkin Receptacle is constructed of chrome plated heavy guage steel.

OPERATION: Lift lid and dispose of napkin through the hinged top. To empty open door on the bottom.

INSTALLATION: Secure to studs or solid backing with mounting screws (included) at holes provided.

SPECIFICATION: Surface Mount Sanitary Napkin Receptacle #CWHK250C shall be constructed of chrome plated heavy guage steel.

Overall dimensions: 8"w x 11 1/4"h x 4 1/4"d.

1/98