

Cweco

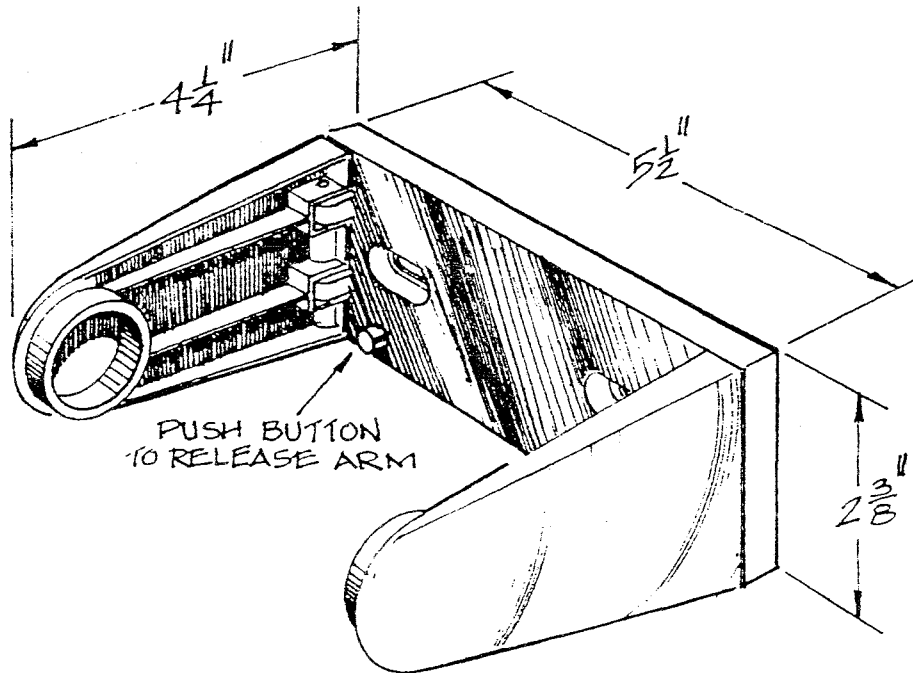
P.O. BOX 2456, GARDENA, CA 90247-0456

CW815

(800) 292-9326 OR (310) 538-9440--FAX:(800) 232-9326 OR (310) 715-9188

SINGLE ROLL DELUXE T.P. HOLDER

Part number shall be CW815



CONSTRUCTION: Single Roll Toilet Paper Holder is fabricated of die cast polished zamak, and then a chrome plated finish is applied.

OPERATION: Chrome plated zamak Single Roll Toilet Paper Holder left support arm is released when button is pushed, which allows the old roll to be removed and new paper added.

INSTALLATION: Secure to studs or solid backing with mounting screws (included) at holes provided.

SPECIFICATION: Surface mounted Single Roll Toilet Paper Holder #CW815 shall consist of chrome plated zamak and hold one standard roll of toilet paper.

Overall dimensions: $5\frac{1}{2}$ "W x $2\frac{3}{8}$ "H x $4\frac{1}{4}$ "D

2/98