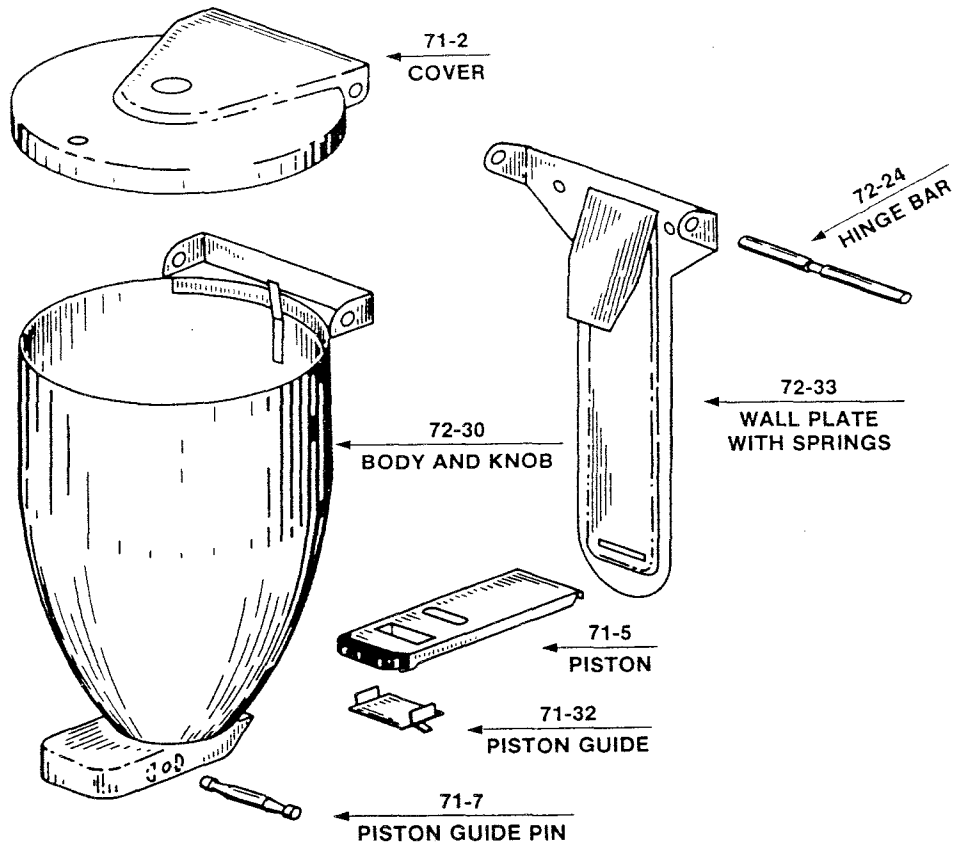


# CW72 POWDERED SOAP DISPENSER



## INSTALLATION INSTRUCTIONS

- 1) Detach wall plate from dispenser by pushing in on top of leaf spring and sliding bar out completely (to right or left).
- 2) Attach wall plate. Use fibre plugs for tile or marble walls. For plaster or hollow walls, use toggle bolts.
- 3) Attach dispenser to wall plate by tilting the dispenser and hook the dispenser into the wall plate.
- 4) Press the dispenser against the wall plate and replace the hinge bar. **MAKE SURE BAR GOES THROUGH BOTH SIDES OF THE WALL PLATE.** The leaf spring should be **behind** the bar, and will snap into groove when bar is fully inserted.

71-2	Cover (only) .....
71-4	Knob (only) .....
71-5	Piston .....
71-7	Piston Guide Pin .....
71-15	Lock Cylinder .....
71-16	Lock Latch .....
71-17	Lock Guide .....
71-18	Lock Spring .....
71-19	Key .....
71-22	Lock Rivet .....
72-24	Hinge Bar .....
72-30	Body and Knob .....
72-31	Cover Complete .....
71-32	Piston Guide .....
72-33	Wall Plate with Springs .....

**Cweco**

Commercial Washroom Equipment Company Incorporated

P.O. Box 2456, Gardena, CA 90247-0456 310-538-9440

1-800-292-9326 Outside CA FAX: 310-715-9188

FAX 1-800-232-9326