

Cweco

Commercial Washroom Equipment Company Incorporated

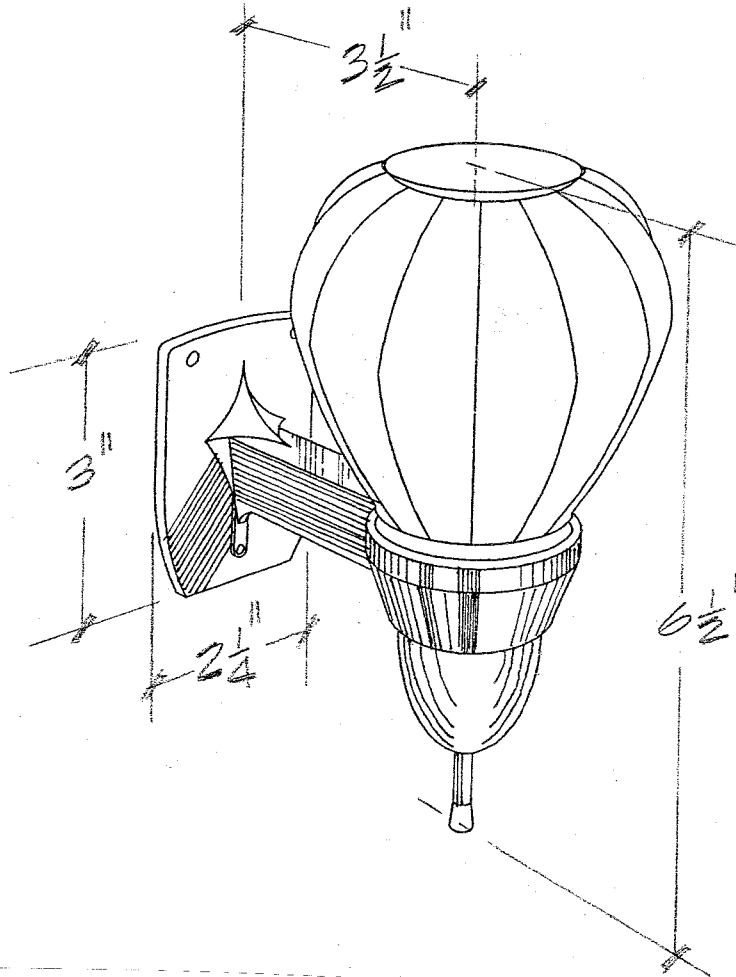
P.O. Box 2456, Gardena, CA 90247-0456 310-538-9440

1-800-292-9326 Outside CA FAX: 310-715-9188

FAX 1-800-232-9326

CW500P

LIQUID PUSH UP SOAP DISPENSER



CONSTRUCTION: Bracket and base are chrome plastic.
Valve is plastic.
Globe is white translucent polyethylene.

CAPACITY: 16 ounces of liquid soap.

INSTALLATION: Secure to studs or solid backing with mounting screws provided. Unscrew globe with valve from bracket and then unscrew globe from valve to fill.

SPECIFICATION: Liquid push up soap dispenser shall be model CW500P by CWECO, Inc.