

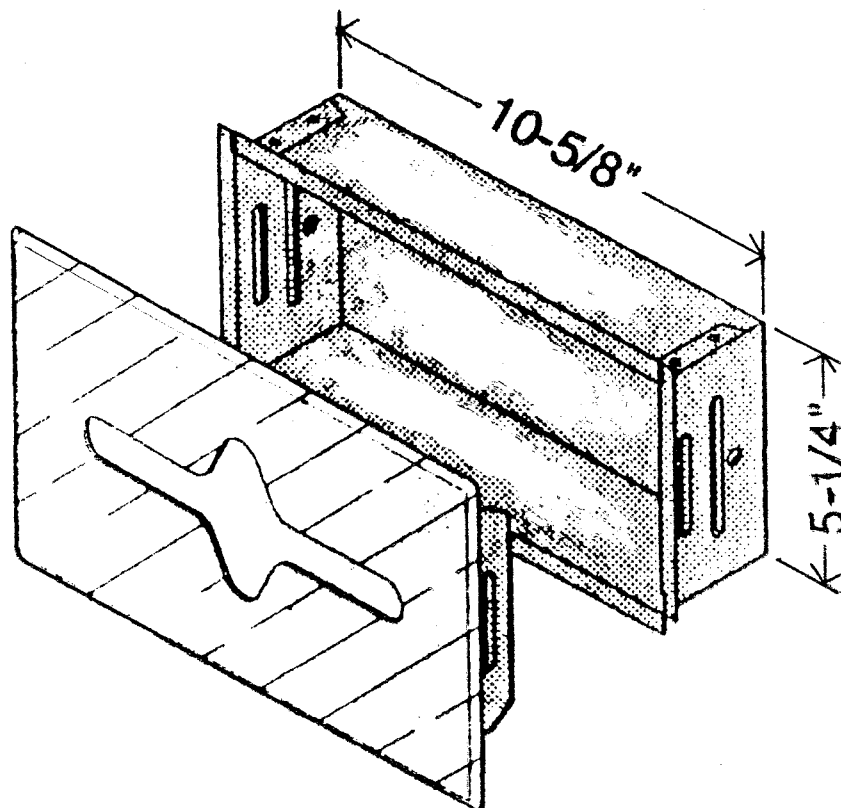
**Cweco**

Commercial Washroom Equipment Company Incorporated

P.O. Box 2456, Gardena, CA 90247-0456 310-538-9440  
1-800-292-9326 Outside CA FAX: 310-715-9188 FAX 1-800-232-9326

**CW41RST**

## RECESSED FACIAL TISSUE DISPENSER



**CONSTRUCTION:** FACEPLATE FABRICATED OF CHROME PLATED STEEL.  
**CAPACITY:** ONE BOX OF 200 FACIAL TISSUES.  
**OPERATION:** SNAP-ON COVER  
**SPECIFICATION:** RECESSED FACIAL TISSUE DISPENSER SHALL BE FABRICATED OF CHROME PLATED STEEL WITH SNAP-ON COVER. HOLDS STANDARD BOX OF 200 TISSUES.  
R.O. = 10 5/8"W X 5 1/4"H X 2 5/8"D  
O.A. = 11 3/4"W X 6 1/4"H X 2 5/8"D

7/96