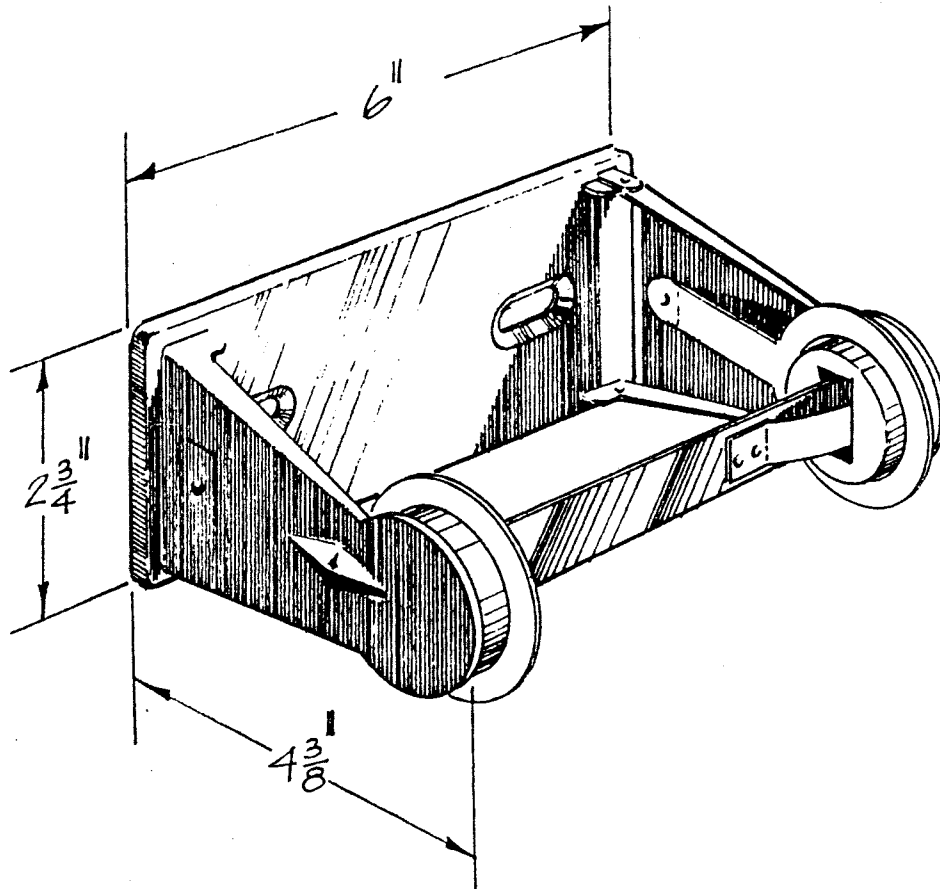


CHROME SINGLE ROLL TOILET PAPER HOLDER



CONSTRUCTION: Fabricated of chrome plated heavy gauge steel with riveted retainer springs for controlled delivery.

OPERATION: This theft resistant toilet paper holder is designed to deter the removal of full rolls of paper. Core can only be removed by tearing off.

INSTALLATION: Secure to studs or solid backing with mounting screws (included) at holes provided.

SPECIFICATION: Single roll paper holder to be fabricated of heavy gauge steel with a chrome plated finish. Unit to have spring tension for controlled delivery and self locking device to prevent removal.
Overall dimensions=6"Wx2 3/4"Hx4 3/8"D