

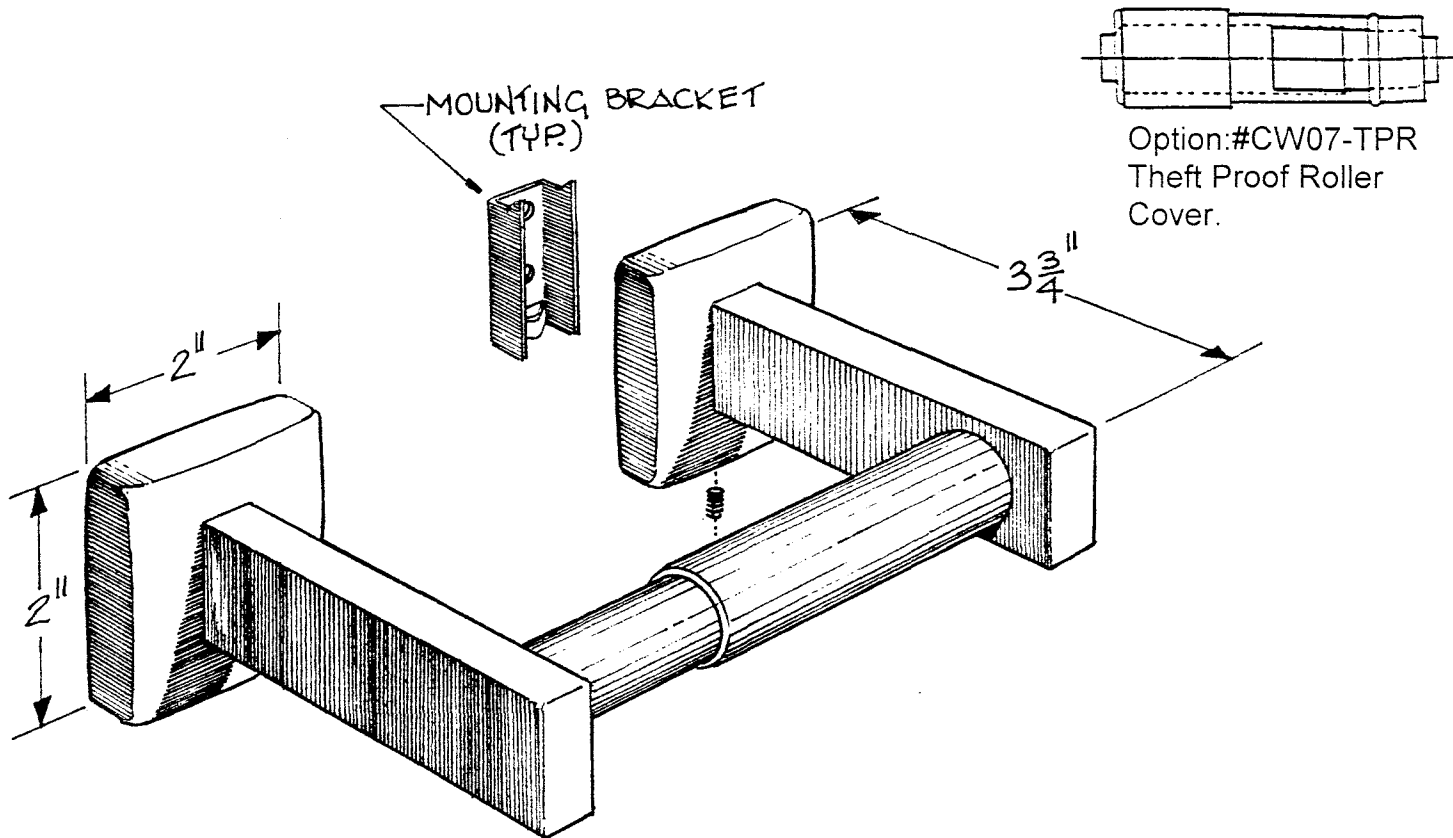
Cweco

P.O.BOX 2456, GARDENA, CA 90247-0456

B5161C

(800) 292-9326 OR (310) 538-9440--FAX:(800) 232-9326 OR (310) 715-9188

SS TOILET PAPER HOLDER/CHROME ROLLER



CONSTRUCTION: END BRACKETS are type 304 brite stainless steel.
MOUNTING BRACKETS are type 304 stainless steel.
ROLLER is chrome plated plastic.

OPERATION: Stainless steel toilet paper post brackets provide a firm support for the toilet paper and chrome roller. The roller compresses to allow for a new roll to be installed.

INSTALLATION: Secure mounting brackets to studs or solid backing with screws (included) at holes provided. Place toilet paper brackets over mounting plates and fasten set screws.

SPECIFICATION: Stainless steel Toilet Paper Holder Cweco #B5161C shall be constructed of type 304 brite stainless steel and furnished with a chrome plastic roller.

2/98