

Cweco

P.O. BOX 2456, GARDENA, CA 90247-0456

(800) 292-9326 OR (310) 538-9440--FAX:(800) 232-9326 OR (310) 715-9188

#6 FLANGE

SNAP FLANGE CONCEALED GRAB BAR

Cweco part number: 3600H

Stainless Steel Tubing-18 gauge, type #304

Handicapped Clearance-1 1/2"

Dimensions: 1 1/2" x "

Finish: Satin

3611H=12"

3612H=16"

3613H=18"

3614H=24"

3615H=30"

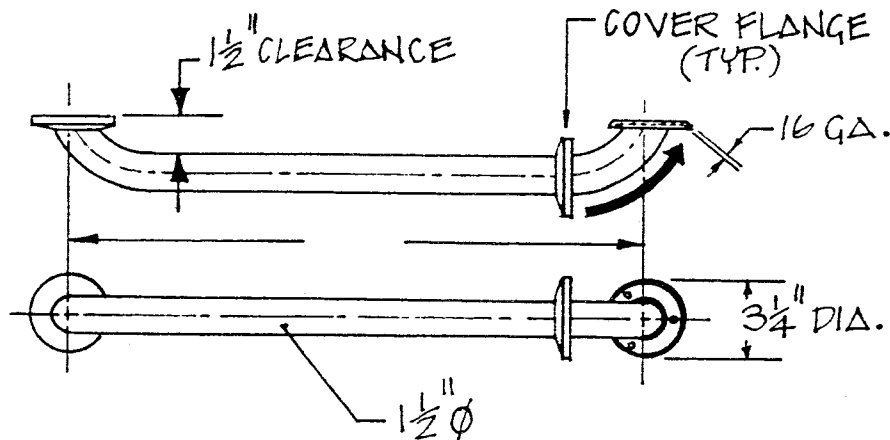
3616H=32"

3617H=36"

3618H=42"

3619H=48"

Meets all existing code strength and material requirements for 1 1/2" Grab bars.



Special finishes:

Use suffix: "P" for Peened finish or "K" for Knurled finish