

Cweco

P.O. BOX 2456, GARDENA, CA 90247-0456

#3 FLANGE

(800) 292-9326 OR (310) 538-9440--FAX:(800) 232-9326 OR (310) 715-9188

16GA EXPOSED SCREW FLANGE GRAB BAR

Cweco part number: 3300H

Stainless Steel Tubing-18 gauge, type #304

Handicapped Clearance-1 1/2"

Dimensions: 1 1/2" x "

Finish: Satin

3311H=12"

3312H=16"

3313H=18"

3314H=24"

3315H=30"

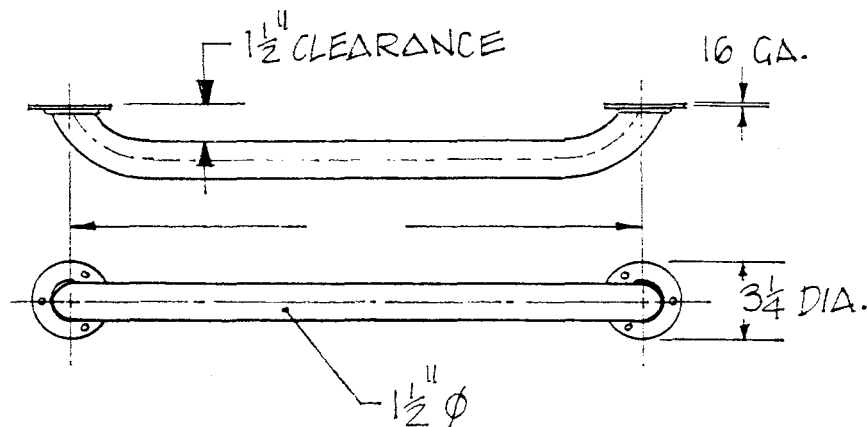
3316H=32"

3317H=36"

2318H=42"

3319H=48"

Meets all existing code strength and material requirements for 1 1/2" Grab bars.



Special finishes:

Use suffix: "K" for knurled finish or "P" for Peened finish.