

SNAP FLANGE CONCEALED GRAB BAR

Cweco part number: 2600H

Stainless Steel Tubing-18 gauge, type #304

Handicapped Clearance-1 1/2"

Dimensions: 1 1/4" x "

Finish: Satin

2611H=12"

2612H=16"

2613H=18"

2614H=24"

2615H=30"

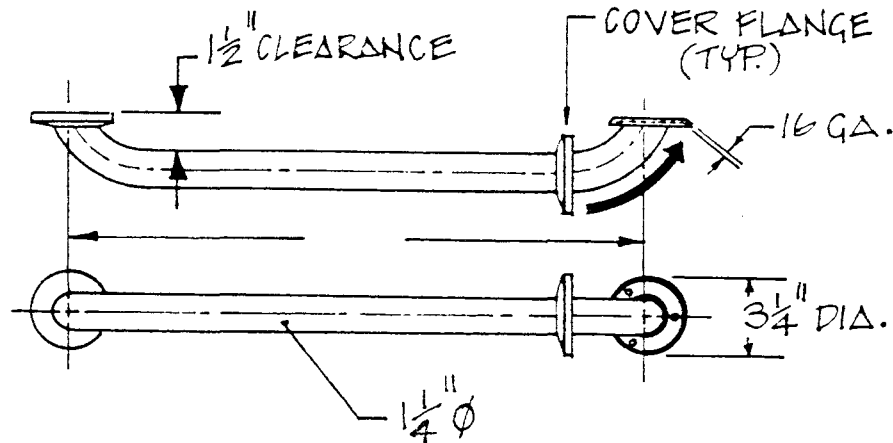
2616H=32"

2617H=36"

2618H=42"

2619H=48"

Meets all existing code strength and material requirements for 1 1/4" Grab bars.



Special finishes:

Use suffix: "P" for Peened finish or "K" for Knurled finish