

16GA EXPOSED SCREW FLANGE GRAB BAR

Cweco part number: 2300H

Stainless Steel Tubing-18 gauge, type #304

Handicapped Clearance-1 1/2"

Dimensions: 1 1/4" x "

Finish: Satin

2311H=12"

2312H=16"

2313H=18"

2314H=24"

2315H=30"

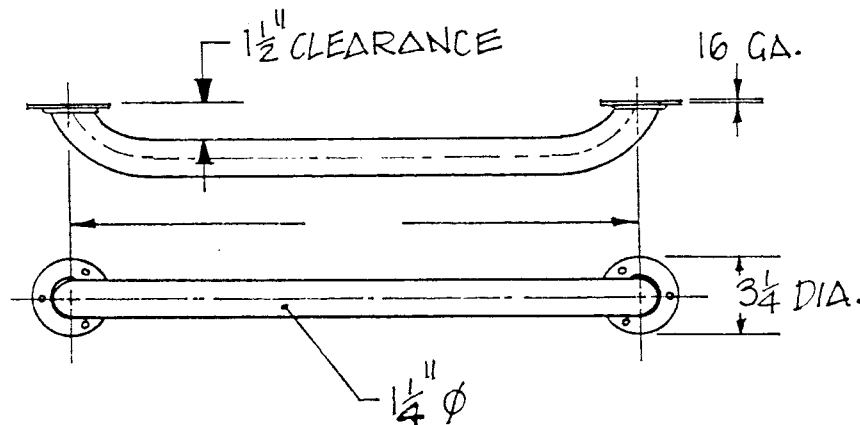
2316H=32"

2317H=36"

2318H=42"

2319H=48"

Meets all existing code strength and material requirements for 1 1/4" Grab bars.



Special finishes:

Use suffix: "K" for knurled finish or "P" for Peened finish.