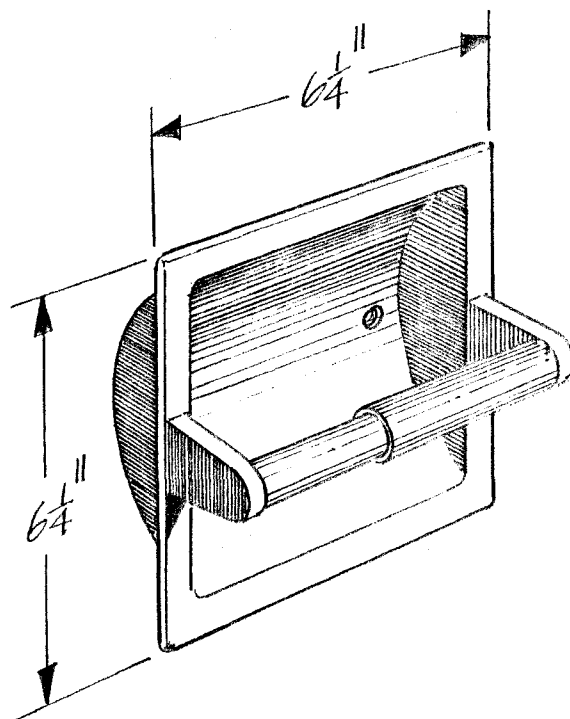


## RECESSED TOILET PAPER HOLDER



**CONSTRUCTION:** The 6 1/4"x6 1/4" shell is constructed of stainless steel. The ears are chrome plated plastic, and the roller is white plastic.

**OPERATION:** The recessed T.P. Holder is to be installed into a 5 1/4"x5 1/4" hole and holds one standard roll of toilet paper.

**INSTALLATION:** Secure to studs or solid backing with stainless steel mounting screws (included) in holes provided.

**SPECIFICATION:** Recessed T.P. Holder shall be constructed of stainless steel shell with chrome plated plastic ears and white plastic roller that installs directly to a solid backing.

**ORDER EXTRA:** May be used with #430 clamp for drywall or #230 for mortar installation.

Rough opening=5 1/4"x5 1/4"x2"D

Overall dimensions=6 1/4"x6 1/4"

2/98